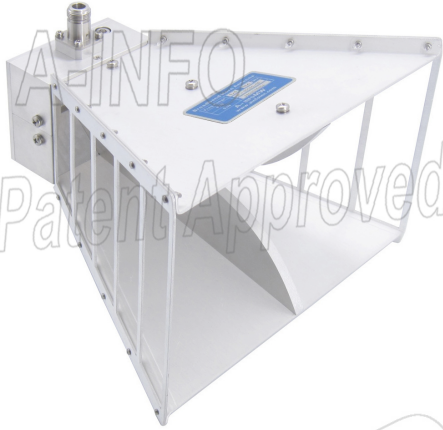


For reference only. See data sheet for the detailed specifications.

Technical Specification



Frequency Range(GHz)	0.7 – 18.0	
Gain(dBi)	12 Typ.	
Polarization	Linear	
3dB Beamwidth(deg)	E Plane:	111 - 13
	H Plane:	78 - 10
Cross Pol. Isolation(dB)	25 Typ.	
VSWR	2.0:1 Typ.	
Connector	N-Female or SMA-Female	
Power Handling(W CW)	N-Female:	300 Max.
	SMA-Female:	50 Max.
Material	Al	
Finish	Chemical Conversion Coating	
Size(mm)	244 x 160.5 x 228	
Net Weight(Kg)	1.50 Around	

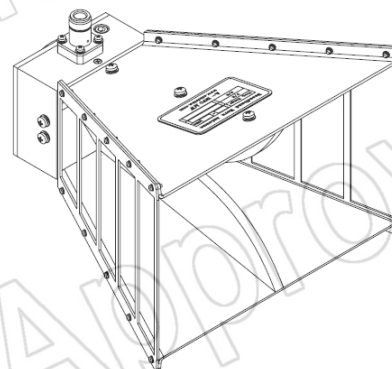
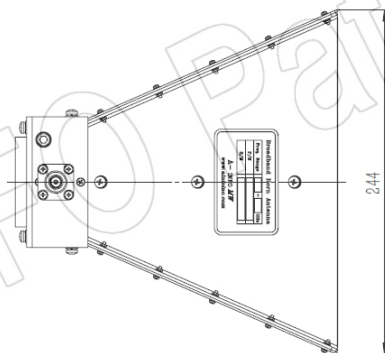
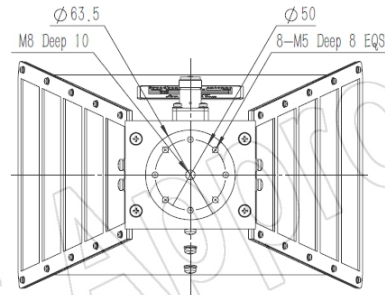
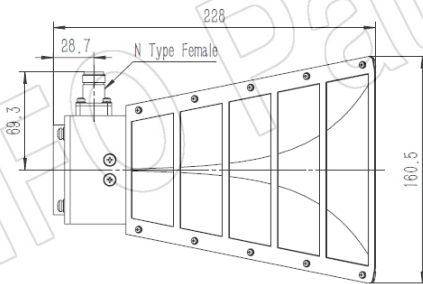
PATENT ID (China)

ZL201621014310.X, ZL201630454754.4

Outline Drawing (Size: mm)

N-Female Output (P/N: LB-7180-NF)

For SMA-Female output outline drawing, please contact A-INFO.



AINFO Inc.

Page 1 of 12

China(Beijing):
China(Chengdu):
USA :

Tel: (+86) 10-6266-7326,
Tel: (+86) 28-8519-2786,
Tel: (+1) 949-639-9688,

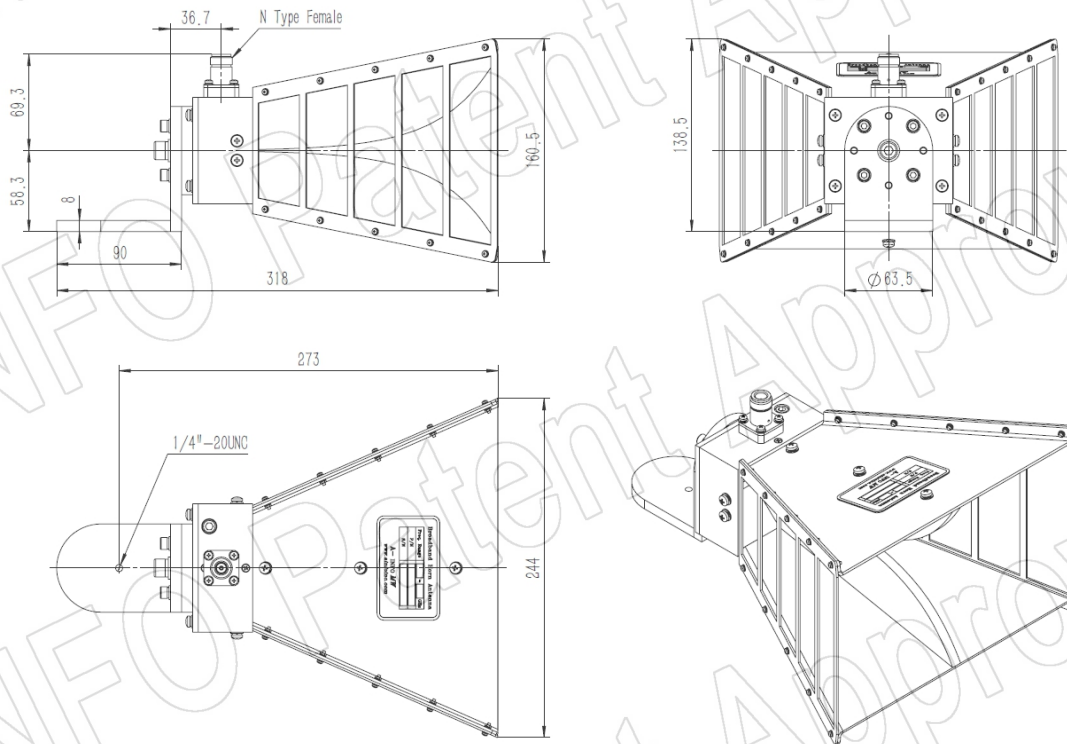
(+86) 10-6266-7327
(+86) 28-8519-3044
(+1) 949-639-9608

Fax: (+86) 10-6266-7379
Fax: (+86) 28-8519-3068
Fax: (+1) 949-639-9670

Website: www.ainfoinc.com
Email: sales@ainfoinc.com

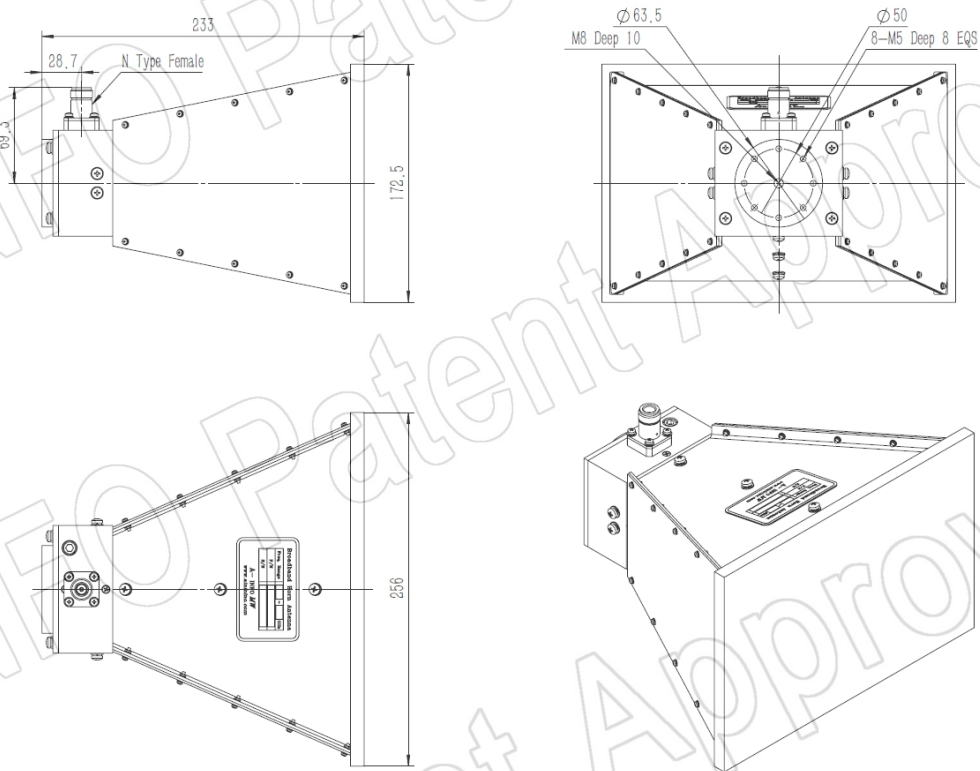
N-Female Output with L Type Mounting Bracket (Option, P/N: LB-10180-L)

For SMA-Female output outline drawing, please contact A-INFO.



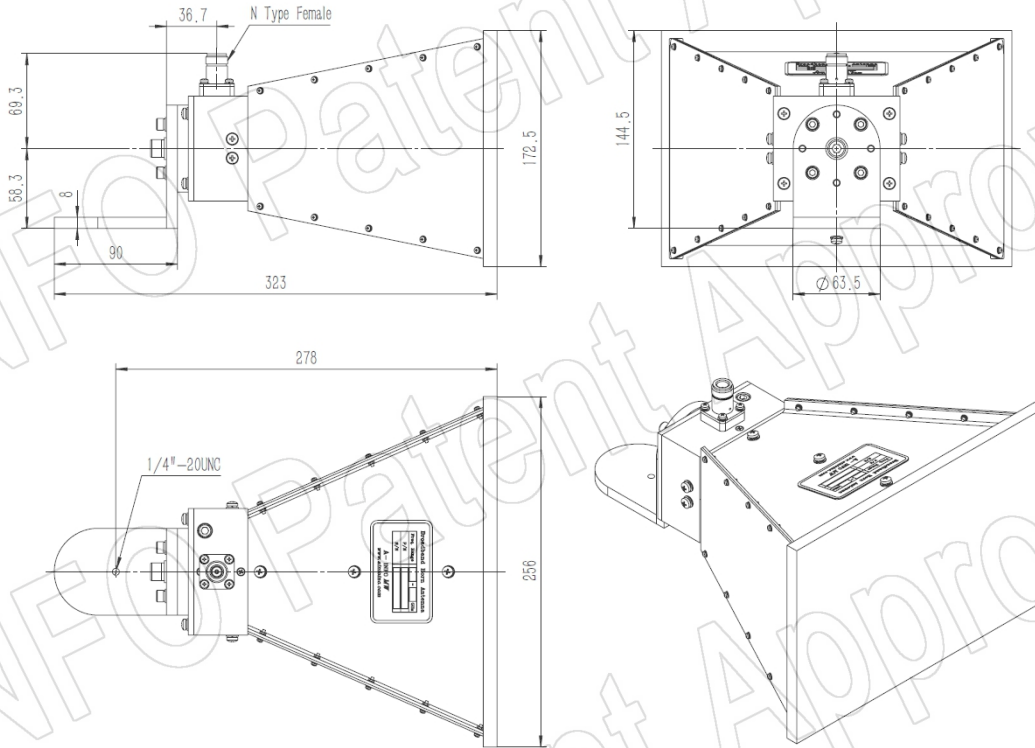
N-Female Output with Radome (Option, P/N: LB-7180-NFSPO, Outdoor Application)

For SMA-Female output outline drawing, please contact A-INFO.



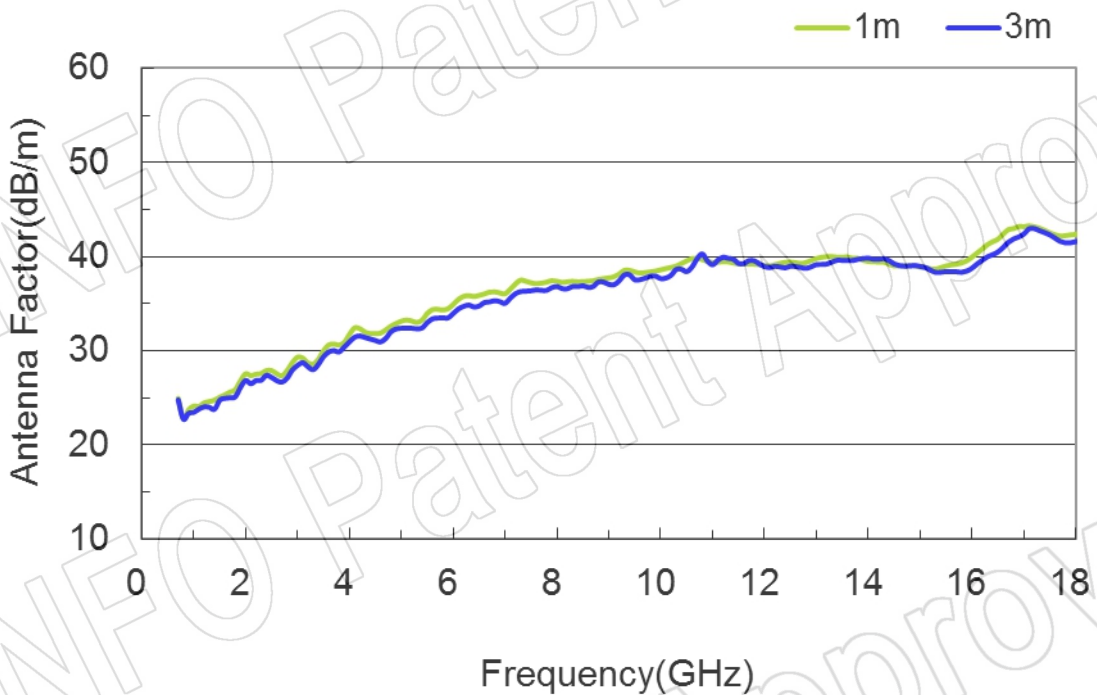
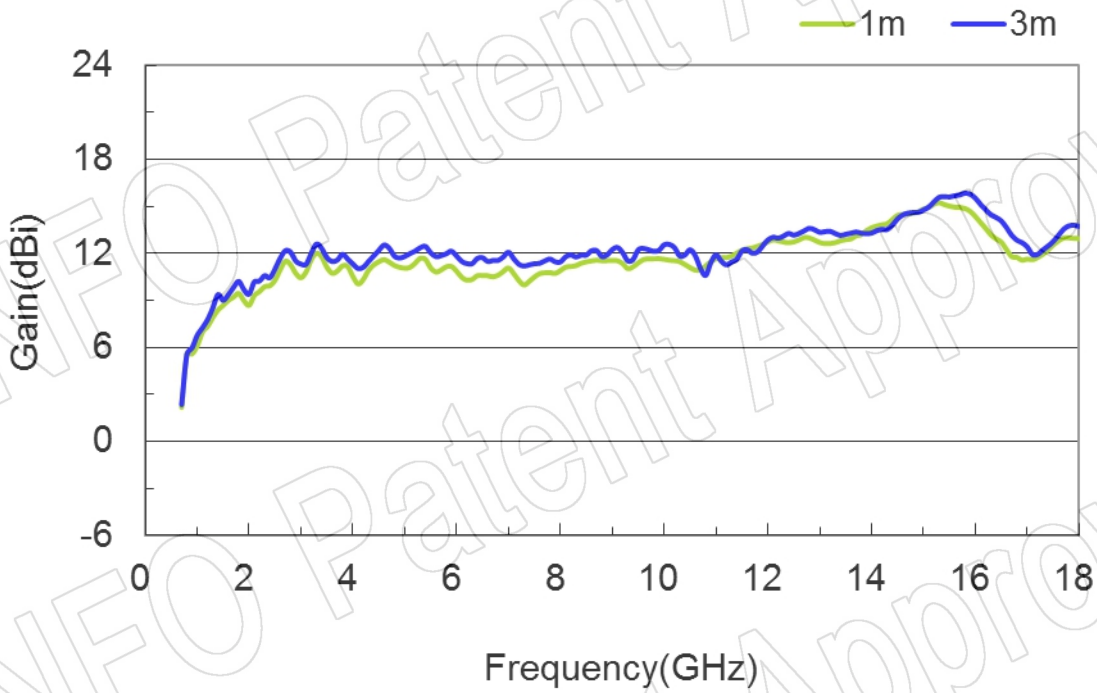
N-Female Output with L Type Mounting Bracket & Radome (Option, P/N: LB-10180-L & LB-7180-NFSPO, Outdoor Application)

For SMA-Female output outline drawing, please contact A-INFO.

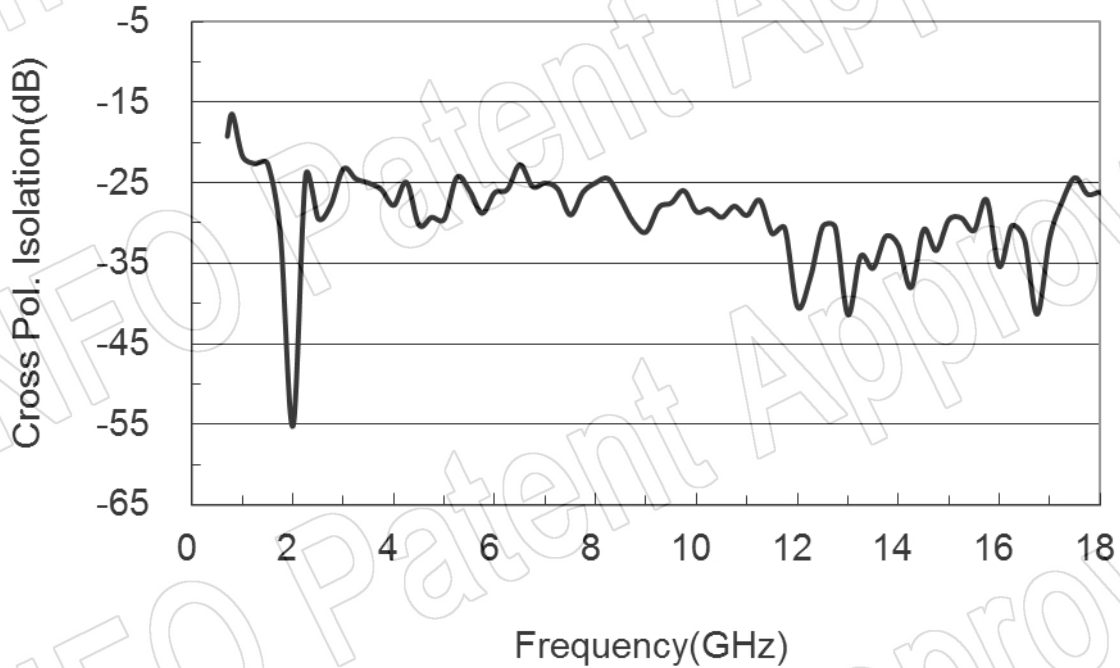


Test Results

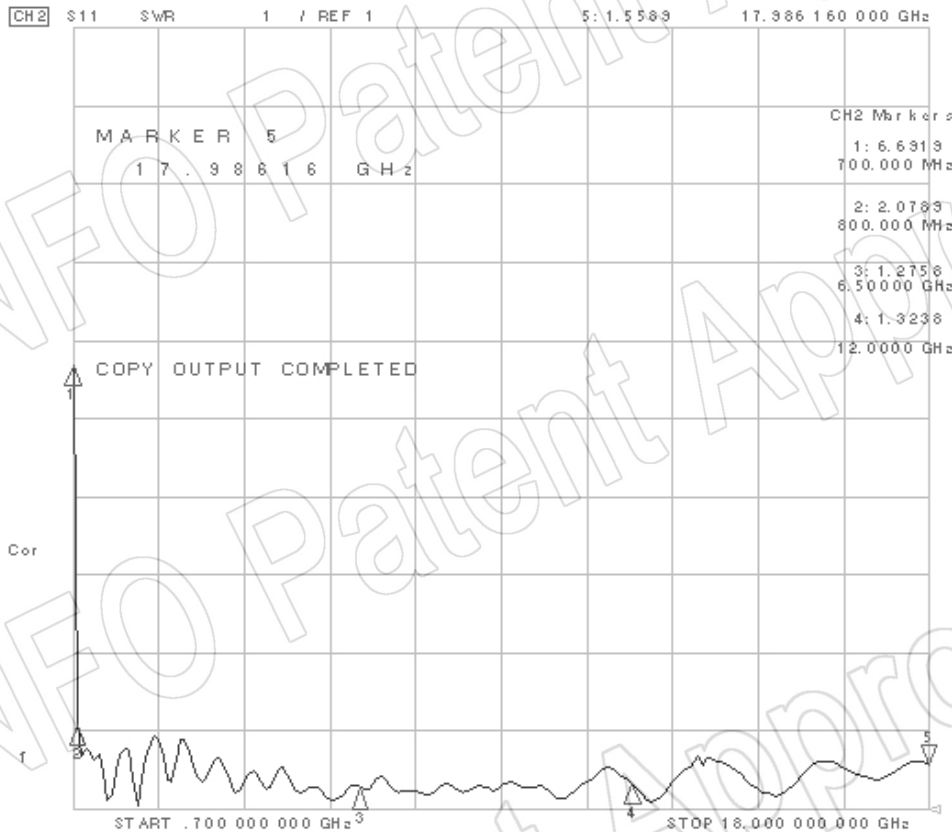
1. Gain & Antenna Factor



2. Cross Polarization Isolation



3. VSWR



4. Pattern

